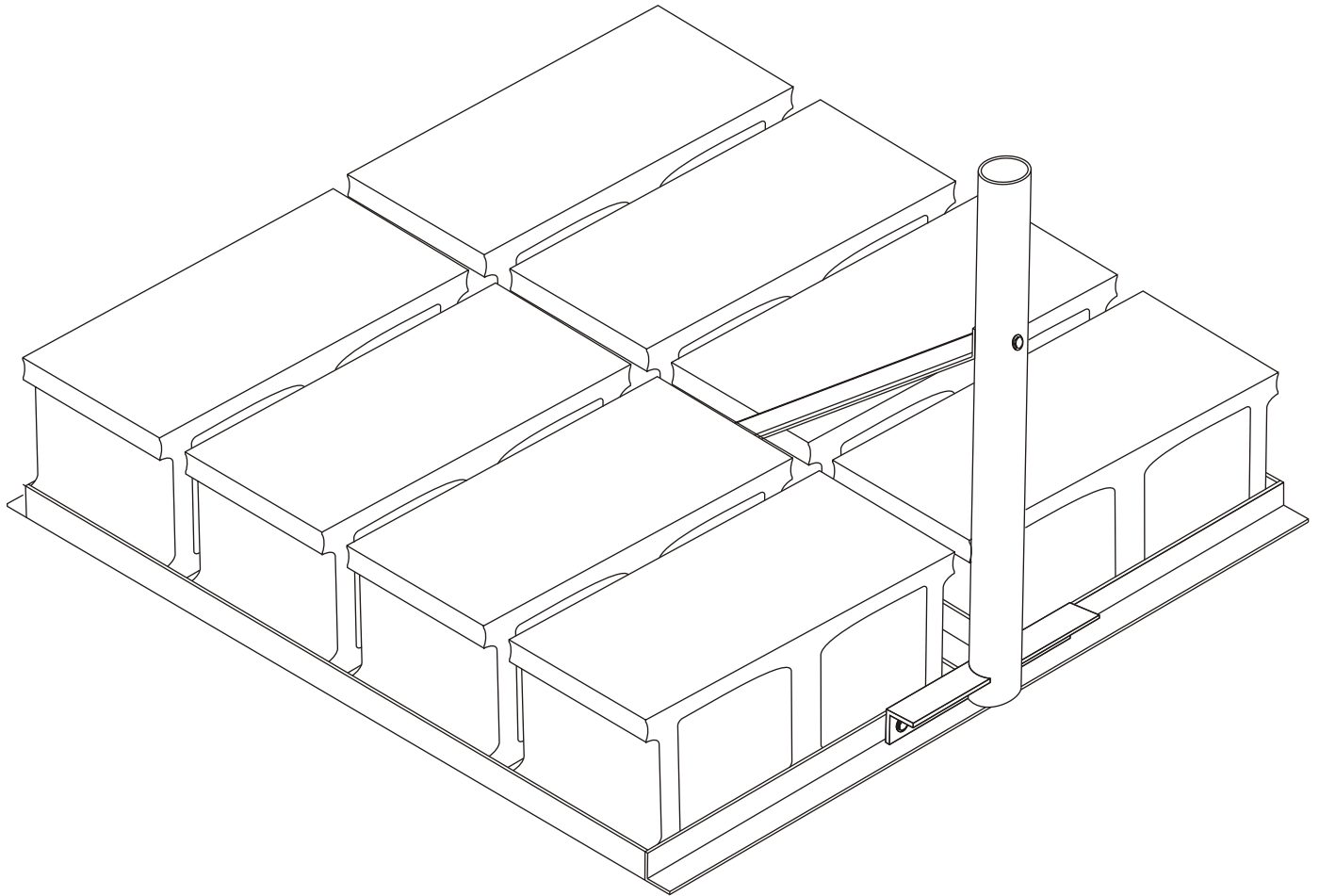


# ***MEDIA TRANSFER SYSTEMS Inc.***

## *1.0m Non-Penetrating Roof Mount*

*Model NP238*

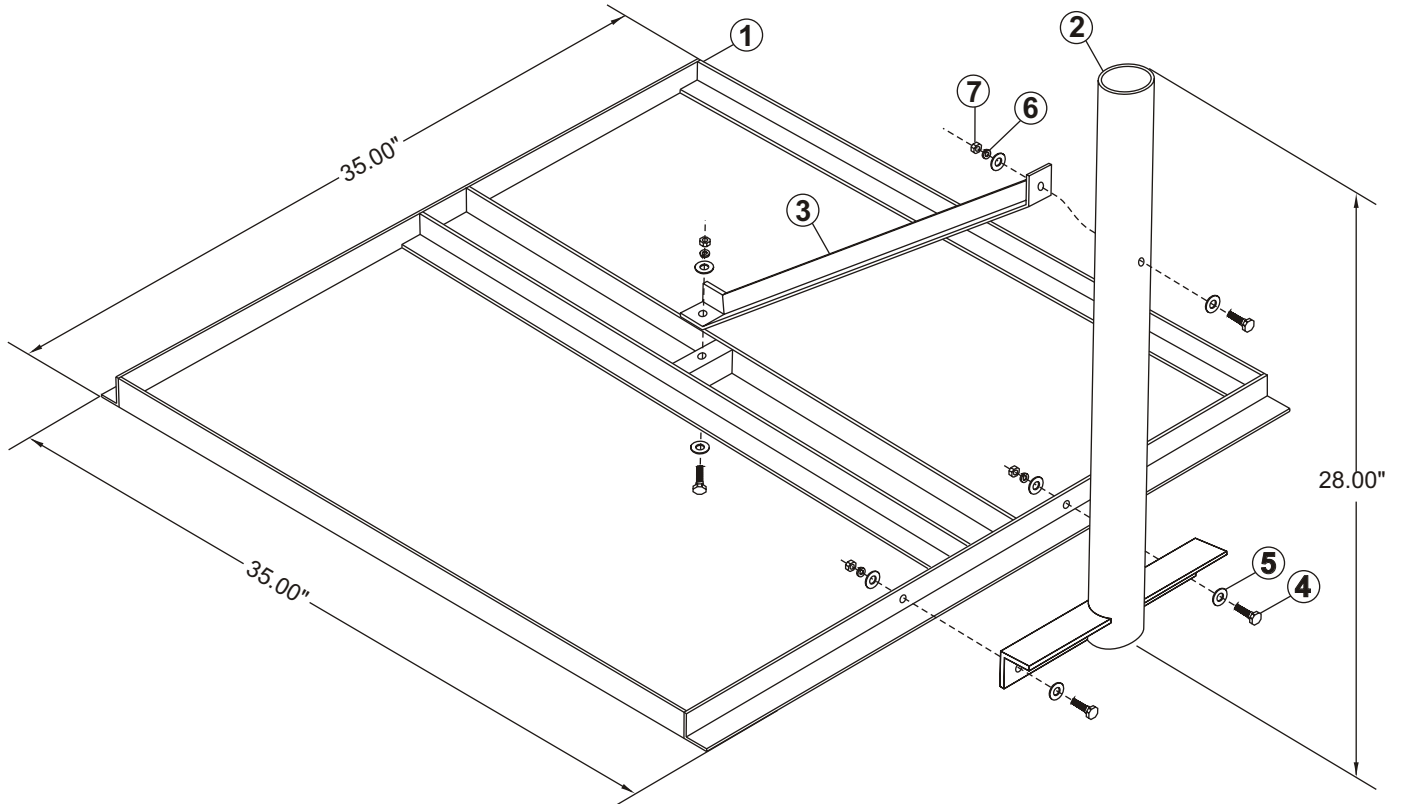





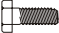



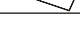
*MEDIA TRANSFER SYSTEMS Inc.*  
*1232 West Kemper Road, #175*  
*Cincinnati, OH 45240*

Ph 800-622-1876 Fax 513-674-9809 Web [www.MediaTransferSystems.com](http://www.MediaTransferSystems.com)

# 1.0m Non-Penetrating Roof Mount

## Model NP238 Assembly Instructions



No.	ITEM	DESCRIPTION	Qty
1		<b>Base Frame</b>	<b>1</b>
2		<b>Mast</b>	<b>1</b>
3		<b>Mast Support</b>	<b>1</b>
4		<b>5/16-20 x 1-inch Hex Bolt</b>	<b>4</b>
5		<b>5/16-inch Flat Washer</b>	<b>8</b>
6		<b>5/16-inch Lock Washer</b>	<b>4</b>
7		<b>5/16-inch Nut</b>	<b>4</b>
8		<b>36 x 36 x 1/8-inch Pressure Pad</b>	<b>1</b>

### SPECIFICATIONS:

- Base frame weldment consists of 1 1/4-inch fabricated steel.
- Mast weldment consists of 2 3/8-inch Sch 40 pipe.